

FMX-2

BSL

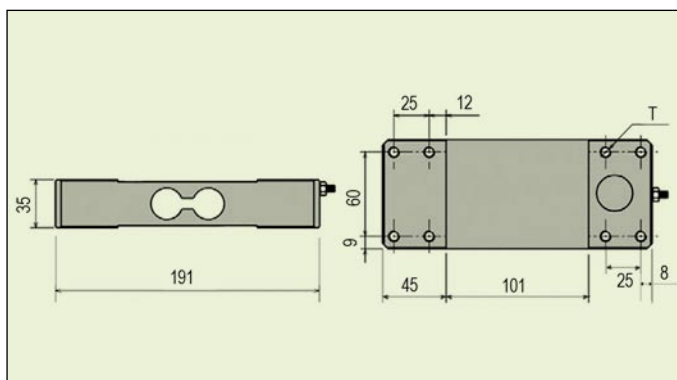
Materials: Aluminum
Material: aluminio

SINGLE POINT TYPE LOAD CELL

CELDA DE CARGA TIPO MONOCELDA



| Datos técnicos grales. | Main technical data | Unit | Technical quota |
|----------------------------|--------------------------------------|---|--------------------------------|
| Sensibilidad | Sensitivity | m V/V | 2±0.01 |
| Alinealidad | Nonlinearity | % FS | ± 0.02 |
| Histeresis | Hysteresis | | |
| Repetibilidad | Repeatability | % FS | 0.01 |
| Creep | Creep | % FS/30min | ± 0.02 |
| Balance de cero | Zero balance | % FS | ± 1 |
| Coeficiente temp. en cero | Zero temperature coefficient | % FS / 10°C | ± 0.02 |
| Coeficiente temp. en carga | Rated output temperature coefficient | | |
| Resistencia de entrada | Input resistance | Ω | 400 ± 15 |
| Resistencia de salida | Output resistance | Ω | 350 ± 5 |
| Resistencia de aislación | Insulation resistance | M Ω | ≥ 5000 |
| Tensión excitación | Supply Voltage | V | 10 (DC / AC) MAX: 15 (DC / AC) |
| Rango compensado de temp. | Temperature compensation range | °C | -10~+50 |
| Temperatura límite | Safe temperature range | °C | -20~+60 |
| Seguridad de sobrecarga | Safe overload | % FS | 150 |
| Cable de conexión | Connect cable | mm | Ø5 x 12000 |
| Método de conexión | Method of connecting wire | input: Red (+) Black (-) Output Green (+) White (-) | |



| CAPACIDAD / RATED LOAD: | | |
|-------------------------|--------|--------|
| 100 | 200 | 300 kg |
| 500 | 700 kg | |
| 600 x 600 | | |