

Cardinal LOAD CELLS

SERIES SCA - LOAD CELLS FOR COMPRESSION WEIGHING



- Capacities 22680 kg, 45360 kg, and 54430 kg
- Hermetically sealed (IP68)
- Stainless steel construction
- 9 m integral shielded cable
- 2 year warranty

The heavy capacity series of compression load cells are ideal for multiple load cell compression applications such as motor truck scales, railroad track scales and heavy duty tank weighing systems. These compression load cells are available in 22680 kg, 45360 kg and 54430 kg

Load cells are fabricated from stainless steel to provide the ultimate in protection when caustic, corrosive or wet environments are encountered. Load cells are hermetically sealed for absolute water protection (IP68).

Each load cell is furnished with stainless steel load buttons on each end, and a 9 m integral multiconductor cable secured by a strain relief seal.

SPECIFICATIONS

Mechanical Data

Rated Capacity, (R.C.) E_{max} . 22680, 45360 & 54430 kg
 Minimum Dead Load 250, 500 kg
 Safe Load Limit 150% R.C.
 Ultimate Load 300% R.C.
 Deflection at R.C. 0.33 mm
 Spring Element Material 17-4 PH
 Net Weight 6 kg

Certificate Data

Issuing Body NTEP OIML
 Certificate Number 89-042A3 .. R60/1991-DK-97.04
 rev 1
 Accuracy Class III L C3
 Maximum Number of Load
 Cell Intervals, n_{max} 10000 3000
 Single/Multiple M
 Humidity Symbol CH
 Minimum Load Cell
 Verification Interval V_{min}
 OIML 2.3, 4.5 & 5.4 kg
 NTEP 1.4 & 2.8 kg

Electrical Data

Rated Output 2mV/V
 Excitation Voltage,
 Recommended 10 VDC
 Excitation Voltage,
 Maximum 15 VDC
 Cable Length 9m
 Terminal Resistance
 Excitation 1150 ± 12 ohms
 Signal 1050 ± 10 ohms
 Zero Load Output ± 1% R.C.
 Insulation Resistance >5000 megohms at
 50 VDC

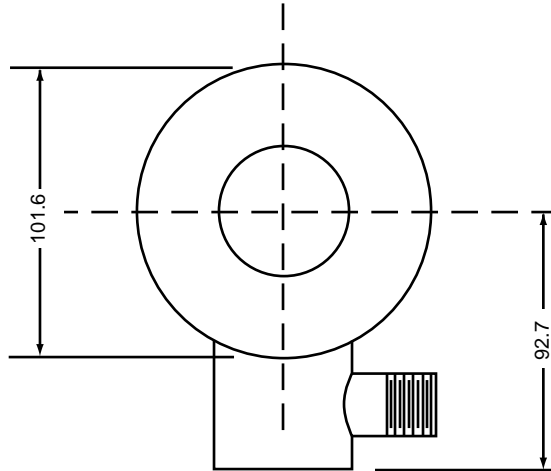
Environmental Data

Temperature Compensation
 Range -10° to +40°C
 Operating Temperature Range .. -29° to +93°C
 Construction & Protection
 Code CP-67 HU, IP68
 Barometric Pressure Effect
 on Zero Load Output <1 v (min)/1kPa

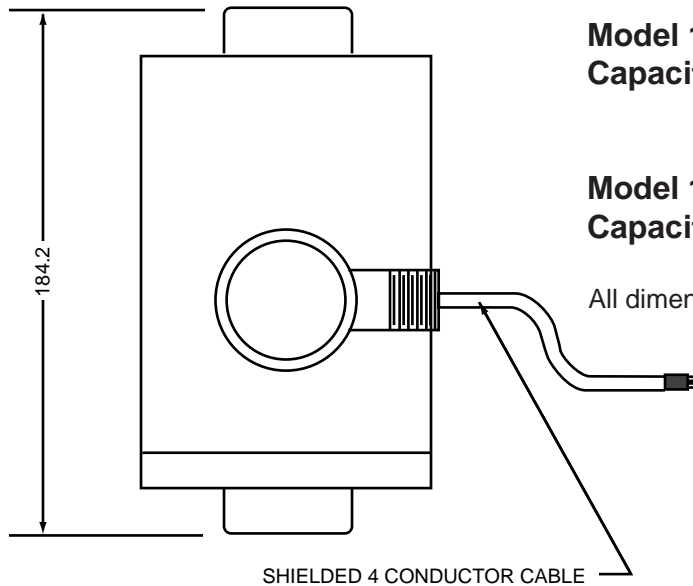
Color Code

+ Excitation Green | - Signal White
 - Excitation Black | + Signal Red

Cardinal COMPRESSION LOAD CELLS



Model 50K-SCA
Capacity: 22680 kg



Model 100K-SCA
Capacity: 45360 kg

Model 120K-SCA
Capacity: 54430 kg

All dimensions are in mm unless otherwise noted.



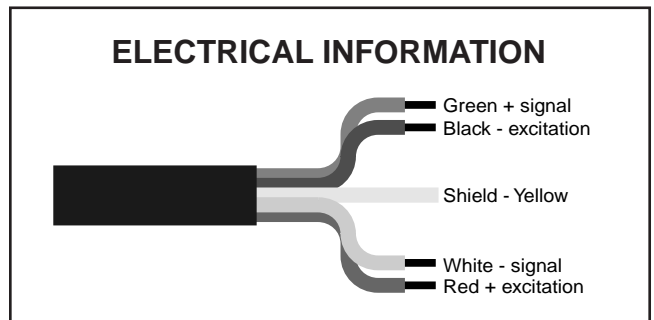
The SCA Series Load Cells meet all requirements of OIML R60 and has been issued OIML certificate no. R60/1991-DK-97.04 rev1.



The SCA Series Load Cells meet all requirements of Handbook 44, issued by the National Institute of Standards and Technology and have been issued the NTEP Certificate of Conformance No. 89-042 A3.



Cardinal Scale reserves the right to improve, enhance and modify features and specifications without prior notice.



Printed in USA • © Copyright 2001, Cardinal Scale Mfg. Company • 207/263-6

203 East Daugherty
P.O. Box 151
Webb City, Mo 64870

Phone: 417•673•4631
Fax: 417•673•5001
www.cardinalscales.com